

BE系列旋涡泵 SERIES SELF-PRIMING PERIPHERAL PUMPS



WORKING CONDITIONS

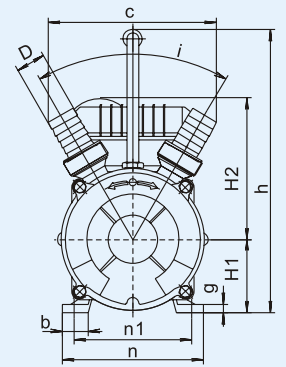
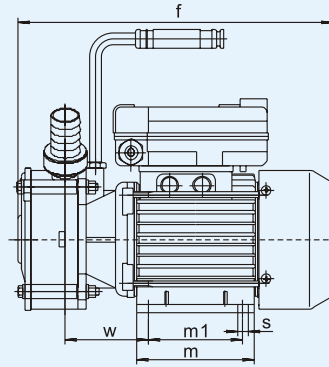
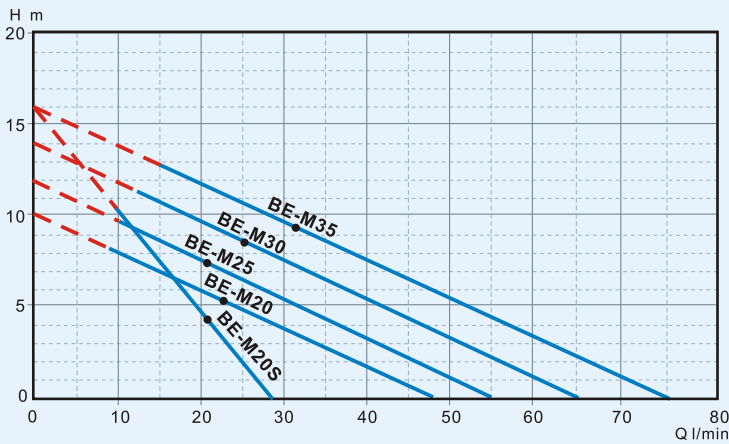
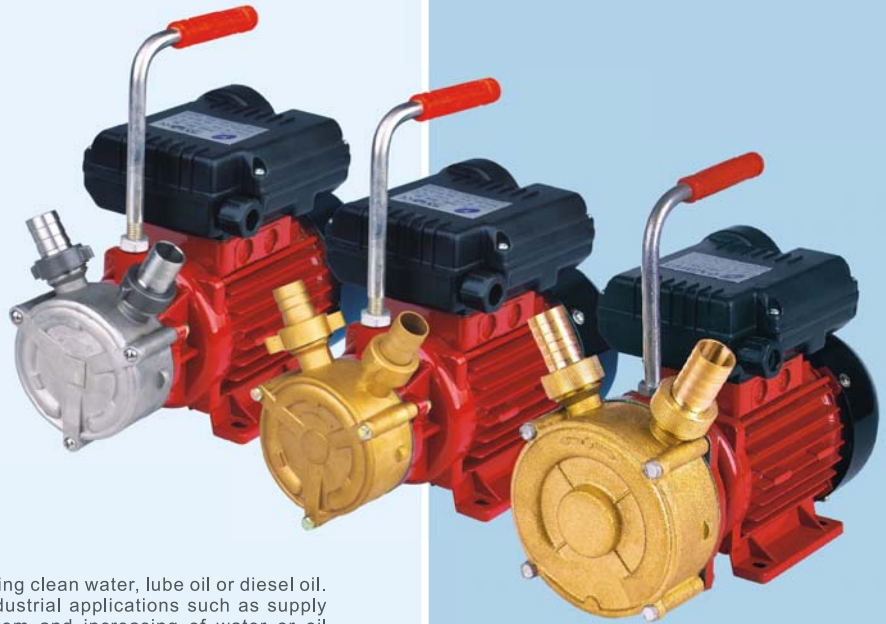
Max Temperature of Fluid up to +80°C
Max Pressure 10bar,
Max Ambient Temperature up to 40°C

工作条件:

最高流体温度为80°C
最大可承受的压力10bar
最高环境温度40°C

BE series self-prime pumps are suitable for pumping clean water, lube oil or diesel oil. They are particularly suitable for domestic or industrial applications such as supply water from well, diesel station, oil circling system and increasing of water or oil pressure.

BE 系列自吸电泵用于输送清水、润滑油或柴油，适用于家庭或农户或小企业从井中或水池中提水、小型加油站、油循环系统及进行水或油的加压。



DIMENSIONS 安装尺寸

TYPE 型号	Dimensions 外形尺寸 mm													Weight 重量 (kg)		Packing Size 包装尺寸 (mm)			Packing QTY. 包装数量	
	f	c	h	H1	H2	i	m	m1	n	n1	w	b	g	s	NW	GW	L	W	H	20'Cont 20'柜
BE-M20	270	140	242	63	121	60°	100	80	120	100	72	23	8	9	5.2	6	300	155	195	2850
BE-M25	270	145	242	63	121	60°	100	80	120	100	72	23	8	9	5.5	6.3	300	155	195	2850
BE-M30	300	170	262	71	135	60°	110	90	134	112	83	23	9	9	7.5	8.5	320	185	215	2200
BE-M35	300	175	262	71	135	60°	110	90	134	112	83	23	9	9	8	9	320	185	215	2200
BE-M20S	250	115	242	63	121	60°	100	80	120	100	72	23	8	9	5	6	300	155	195	2850

TECHNICAL DATA 技术参数

TYPE 型号	Input Power 输入功率		Current 电流 (A)	Capacitor 电容器 (μF)	H.max 最高扬程 (m)	Q.max 最大流量 (l/min)	Size 进出口径 (mm)	S.Head 最大吸程 (M)	Speed 转速 (r.p.m)	Total head 总扬程 (m)	Capacity 流量 l/min											
	KW	HP									10	20	30	40	50	60	70					
BE-M20	0.33	0.45	1.6	12	10	35	20X20	9	1380		7	6	4	2								
BE-M25	0.40	0.55	2	12	12	40	25X25	9	1400		9	7	5	3	1							
BE-M30	0.70	0.95	3	20	14	65	30X30	9	1400		12	9	7	5	3	1						
BE-M35	0.80	1.1	3.4	20	16	75	35X35	9	1420		14	12	10	7	5	7	1					
BE-M20S	0.45	0.6	2.2	16	16	28	20X20	9	2750		11	5										

标准的电参数及配件配置：单相220V/50Hz、铜叶轮及泵体、不锈钢轴、马达内置热保护器。可根据客户的其它参数及材料的要求，制作其它单、三相电压、60Hz、双电压等规格的产品。
Standard data and equipment: single phase 220V/50Hz, Brass impeller pump body and stainless steel motor shaft, with terminal protector inside.
Others model and material such as three phase, 110V, 60Hz, dual voltage, etc, will be available upon request.